

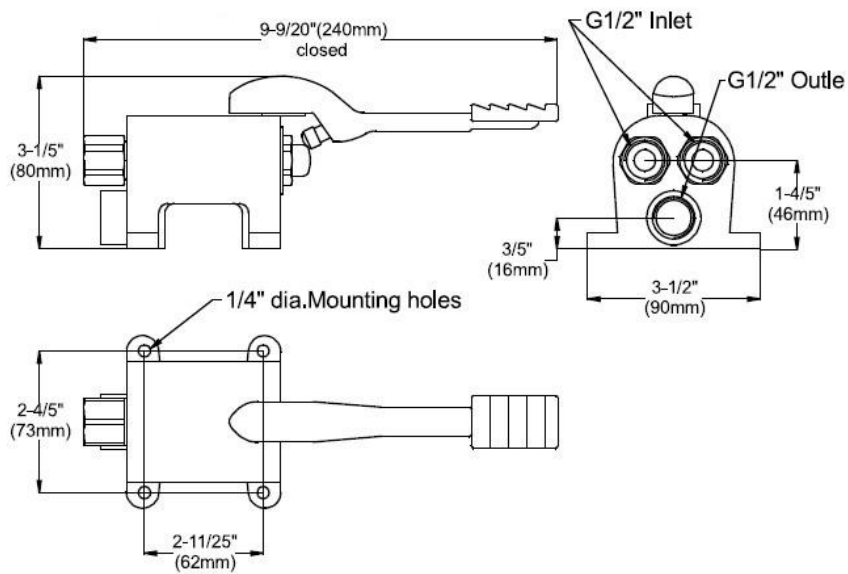


无锡佑飞贸易有限公司
UNIFIT INDUSTRIAL SUPPLY CO.,LTD.

Model No.
002

TEL: 0510-85841608,82805020 FAX: 0510-822805357 WWW.UNIFIT.CN

Item No.



Certificate:



WRAS
water regulations advisory scheme

ACS

Drawn:

Checked:

Approved:

Scale:

Date: